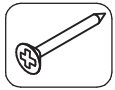


∅3.5x35 - 68 pcs. (a)

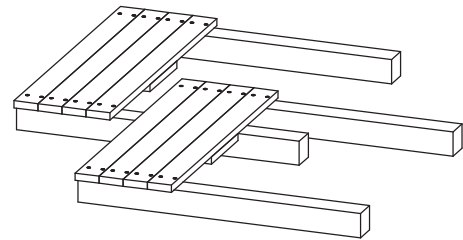
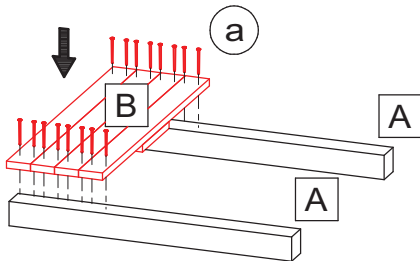
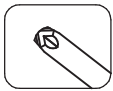
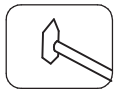


∅3.5x45 - 16 pcs. (b)

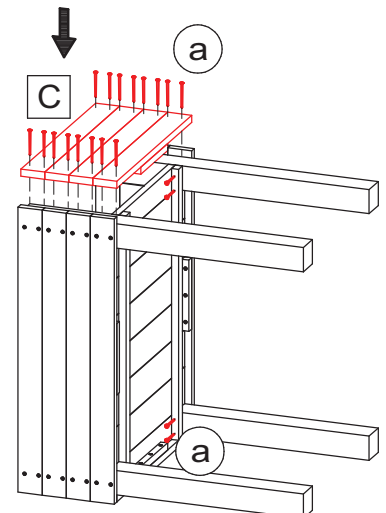
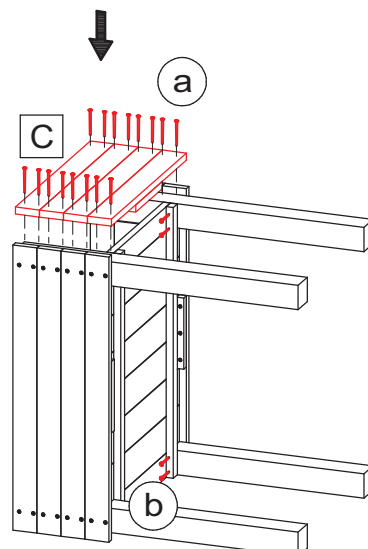
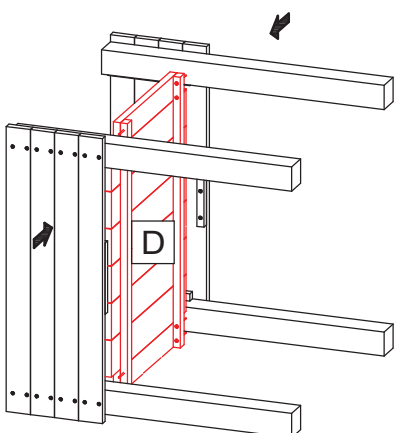
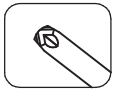
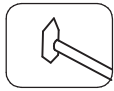
Component

A	Beam 68x68x800	4 pcs.
B	Side 800x280x40	2 pcs.
C	Side 560x280x40	2 pcs.
D	Bottom 760x560x40	1 pcs.
E	Shelf 760x560x88	1 pcs.
F1	Lath 800x30x20	1 pcs.
F2	Lath 600x30x20	1 pcs.
G	Foil - non-woven 1240x1040	1 pcs.

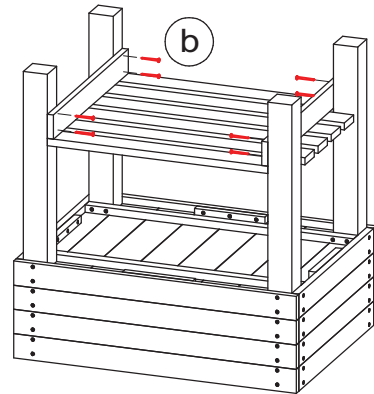
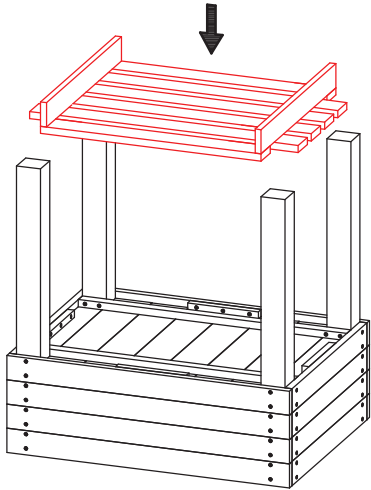
1



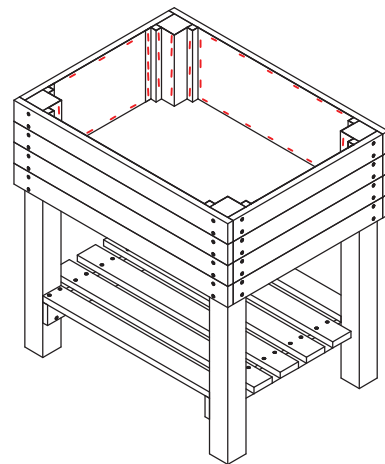
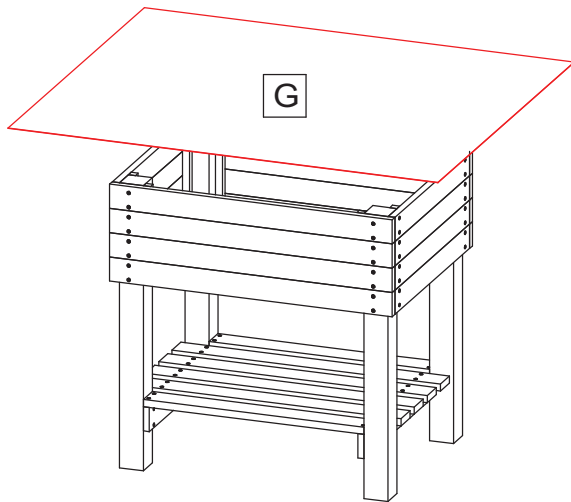
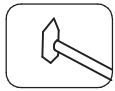
2



3



4



5

